






OPEN ACCESS

ORIGINAL RESEARCH

Mutations in *TRIM63* cause an autosomal-recessive form of hypertrophic cardiomyopathy

Joel Salazar-Mendiguchía ^{1,2,3}, Juan Pablo Ochoa,¹ Julian Palomino-Doza,^{4,5} Fernando Domínguez,^{5,6} Carles Díez-López,⁷ Mohammed Akhtar,⁸ Soraya Ramiro-León,⁹ María M Clemente,¹⁰ Antonia Pérez-Cejas,¹¹ María Robledo,¹² Iria Gómez-Díaz,¹ María Luisa Peña-Peña,¹³ Vicente Climent,¹⁴ Francisco Salmerón-Martínez,¹⁵ Celestino Hernández,¹⁶ Pablo E García-Granja ¹⁷, M Victoria Mogollón,¹⁸ Ivonne Cárdenas-Reyes,¹ Marcos Cicerchia,¹ Diego García-Giustiniani,¹ Arsonval Lamounier Jr.,¹ Belén Gil-Fournier,⁹ Felicitas Díaz-Flores,¹¹ Rafael Salguero,⁴ Luis Santomé,¹ Petros Syrris,¹⁹ Montse Olivé,²⁰ Pablo García-Pavía,^{5,6,21} Martín Ortiz-Genga,¹ Perry M. Elliott ^{8,19}, Lorenzo Monserrat,¹ on behalf of GENESCOPIC Research Group

► Additional material is published online only. To view please visit the journal online (<http://dx.doi.org/10.1136/heartjnl-2020-316913>).

For numbered affiliations see end of article.

Correspondence to

Dr Joel Salazar-Mendiguchía, Cardiovascular Genetics, Health in Code, A Coruna 15006, Spain; joel.salazar@healthincode.com

Received 18 March 2020

Revised 3 April 2020

Accepted 6 April 2020

Published Online First

25 May 2020



► <https://doi.org/10.1136/heartjnl-2020-317043>



© Author(s) (or their employer(s)) 2020. Re-use permitted under CC BY-NC. No commercial re-use. See rights and permissions. Published by BMJ.

To cite: Salazar-Mendiguchía J, Ochoa JP, Palomino-Doza J, et al. *Heart* 2020;**106**:1342–1348.

ABSTRACT

Objective Up to 50% of patients with hypertrophic cardiomyopathy (HCM) show no disease-causing variants in genetic studies. *TRIM63* has been suggested as a candidate gene for the development of cardiomyopathies, although evidence for a causative role in HCM is limited. We sought to investigate the relationship between rare variants in *TRIM63* and the development of HCM.

Methods *TRIM63* was sequenced by next generation sequencing in 4867 index cases with a clinical diagnosis of HCM and in 3628 probands with other cardiomyopathies. Additionally, 3136 index cases with familial cardiovascular diseases other than cardiomyopathy (mainly channelopathies and aortic diseases) were used as controls.

Results Sixteen index cases with rare homozygous or compound heterozygous variants in *TRIM63* (15 HCM and one restrictive cardiomyopathy) were included. No homozygous or compound heterozygous were identified in the control population. Familial evaluation showed that only homozygous and compound heterozygous had signs of disease, whereas all heterozygous family members were healthy. The mean age at diagnosis was 35 years (range 15–69). Fifty per cent of patients had concentric left ventricular hypertrophy (LVH) and 45% were asymptomatic at the moment of the first examination. Significant degrees of late gadolinium enhancement were detected in 80% of affected individuals, and 20% of patients had left ventricular (LV) systolic dysfunction. Fifty per cent had non-sustained ventricular tachycardia. Twenty per cent of patients suffered an adverse cerebrovascular event (20%).

Conclusion *TRIM63* appears to be an uncommon cause of HCM inherited in an autosomal-recessive manner and associated with concentric LVH and a high rate of LV dysfunction.

INTRODUCTION

Hypertrophic cardiomyopathy (HCM) is the most common inherited cardiac disorder, with an

estimated prevalence of at least 1:500.¹ The understanding of the genetic architecture of HCM has greatly improved since the advent of next generation sequencing, but approximately 50% of cases remain unresolved.^{2,3}

TRIM63 encodes an E3 ubiquitin-protein ligase known as muscle-specific RING-finger protein 1 (MuRF1), which belongs to a family of proteins with RING zinc-finger motifs. It mainly localises to the Z-disk and M-line of the sarcomere, where it interacts with several sarcomeric proteins.^{4,5} MuRF1 participates in the regulation of sarcomeric protein degradation through a process known as ubiquitination and plays an important role in linking myofibril components with intermediate filaments and microtubules.⁶ *TRIM63* expression is upregulated by atrophic stimuli,⁴ and *TRIM63* knockout mice models exhibit an exaggerated hypertrophic response to stress and an increase in hypertrophy biomarkers.^{7,8}

Genetic variants in *TRIM63* were first suggested as a possible cause of HCM following the identification of two heterozygous missense variants and a heterozygous nonsense variant, p.(Gln247*), in patients but not in controls.⁸ However, subsequent data on p.(Gln247*) showed that this variant is relatively common in the European population, and the relationship between *TRIM63* and the development of HCM has not been confirmed yet.^{9,10} Some authors have suggested that variants in *TRIM63* might act as modifiers of cardiac hypertrophy in the presence of a sarcomere pathogenic variant.¹¹

On the basis of its potential role in cardiovascular diseases, we sought to determine the role of *TRIM63* as a candidate gene for the development of cardiomyopathies in a large cohort of patients referred for clinical genetic testing.

METHODS

From March 2013 to January 2019, *TRIM63* was sequenced as a candidate gene using next-generation

sequencing in 4867 index cases with a clinical diagnosis of HCM and in 3628 probands with other cardiomyopathies referred to our centre for molecular genetic diagnosis. Additionally, 3136 index cases with familial cardiovascular diseases other than cardiomyopathies (mainly channelopathies and aortic diseases) were used as controls. The phenotypes had been established by the referring centres prior to the genetic study. Patient samples were mainly received from hospitals in Spain and the UK, and the predominant ethnicity was European (>90%). The frequencies of variants in the general population were determined by using the gnomAD database (<http://gnomad.broadinstitute.org>; V2.1.1, December 2019). According to gnomAD, the constraint score (observed/expected number of variants) for missense and loss-of-function (LoF) variants in *TRIM63* suggests that this gene is tolerant to the aforementioned genetic changes. However, the variants reported in gnomAD are mainly found in heterozygosity. To investigate the role of non-synonymous *TRIM63* (NM_032588.3) variants in homozygosity or compound heterozygosity, probands harbouring rare variants (defined as those with minor allele frequency (MAF)<0.001) in homozygous or compound heterozygous state were analysed and invited to participate in segregation studies. Clinical and genetic familial cascade screening was performed when possible. In cases where a second pathogenic variant in a sarcomeric gene was identified, the latter variant was also included in family screening to determine the role of each of the identified variants in the familial phenotype. Finally, the clinical characteristics and outcomes of homozygous and compound heterozygous individuals (including probands and relatives) were assessed. Our study was conducted in accordance with the Declaration of Helsinki. Written consent was obtained from all participants.

Patient involvement

Patients were not involved in the design of this study. The index cases actively participated in the recruitment of first-degree relatives. They were central to the dissemination of the baseline information and our hypothesis, which helped to motivate the involvement of their families. All index cases received information on the basis of genetic inheritance in order to adequately inform their relatives prior to contacting the research team. Once our study is published, we aim to disseminate the main results to all trial participants.

Genetic studies, variant filtering and variant classification

Coding exons and intronic boundaries of 219 genes related to inherited cardiovascular diseases and sudden cardiac death (online supplementary table 1) were captured using a custom probe library (SureSelect Target Enrichment Kit for Illumina paired-end multiplexed sequencing method; Agilent Technologies, Santa Clara, California, USA) and sequenced on the HiSeq 1500 platform (Illumina, San Diego, California, USA) following Illumina protocols. The read depth (number of times that a base was sequenced by independent reads) of every nucleotide of genes related to the referred phenotype (including *TRIM63*) was >30 (mean 250–400). Exons that did not fulfil this standard were complementary sequenced using the Sanger method. Only likely protein-altering variants (missense, in-frame insertions/deletions, frameshifts, nonsense and consensus splice-site variants) in the *TRIM63* gene were analysed. Bioinformatic analysis was performed by means of a custom pipeline including software for variant calling, genotyping and annotation. To determine the pathogenicity of the identified variants, the American College of Medical Genetics and Genomics recommendations were used.¹²

Statistical analysis

Continuous variables were expressed as mean±SD, and comparison between groups was performed using the Student's t test or the Mann-Whitney U test according to values distribution. Non-continuous variables were expressed as an integer number (per cent of total) and compared using the χ^2 test or Fisher's exact test, as appropriate. A two-sided $p<0.05$ was considered to indicate statistical significance.

Analysis was performed using the R V.3.4.3 (The R Foundation for Statistical Computing Platform).

LOD score (Logarithms of Odds) calculation

We calculated two-point LOD score for informative families by using the PARAMLINK package for R software. The model was set for a recessive inheritance pattern, with $\theta=0$, phenocopy rate=0.005 and a penetrance of 0.95 for homozygous carriers. An indeterminate status was assigned to family members with a confounding cardiac diagnosis, as well as to individuals younger than 40 years who did not meet clinical criteria for HCM and could develop the disease afterwards.

RESULTS

A total of 20 (0.39%) index cases harbouring homozygous or compound heterozygous rare variants in *TRIM63* were identified, all of them of European descent (non-Finnish). Nineteen had a clinical diagnosis of HCM and one was diagnosed with restrictive cardiomyopathy (RCM). No individuals with biallelic variants were identified in the disease controls. Likewise, in the gnomAD database, no homozygous individuals harbouring rare variants (MAF<0.001) are identified.

Fifteen of the homozygous/compound heterozygous patients with a clinical diagnosis of HCM and the patient with restrictive cardiomyopathy accepted to participate in this study. Five missense and three protein-truncating variants in *TRIM63* (two frameshifts and one nonsense) were identified in these families. All the identified variants are present in the gnomAD database, with a low frequency (MAF<0.001) and only in heterozygosity, except for the p.(Leu37Val) and p.(Lys146Thrfs*24) variants, which are absent in this database. The identified variants, their frequency in gnomAD, the result of the bioinformatic predictors, their classification in ClinVar (whenever present) and their significance according to the ACMG recommendations can be found in online supplementary table 2. Only one HCM individual harbouring a homozygous truncating variant in *TRIM63* also carried a pathogenic truncating variant in a sarcomeric gene (*MYBPC3*), whereas in the rest of the included individuals, no other variants associated with the phenotype were identified.

Familial cosegregation

Twelve of the included families accepted further clinical and genetic screening as part of the evaluation. Three other families accepted to undergo only clinical evaluation, and in one homozygous index case, family study was not possible. Clinical and genetic data on all evaluated family members as well as the family pedigrees are available online (online supplementary table S3 and figure S1).

After familial evaluation, three more homozygous and one compound heterozygous individuals were identified. Two of these met current diagnostic criteria for HCM,¹³ whereas the remaining two were considered likely to be affected, manifesting early signs of the disease given the grossly abnormal ECG, even though the left ventricular (LV) wall thickness did not fulfil the

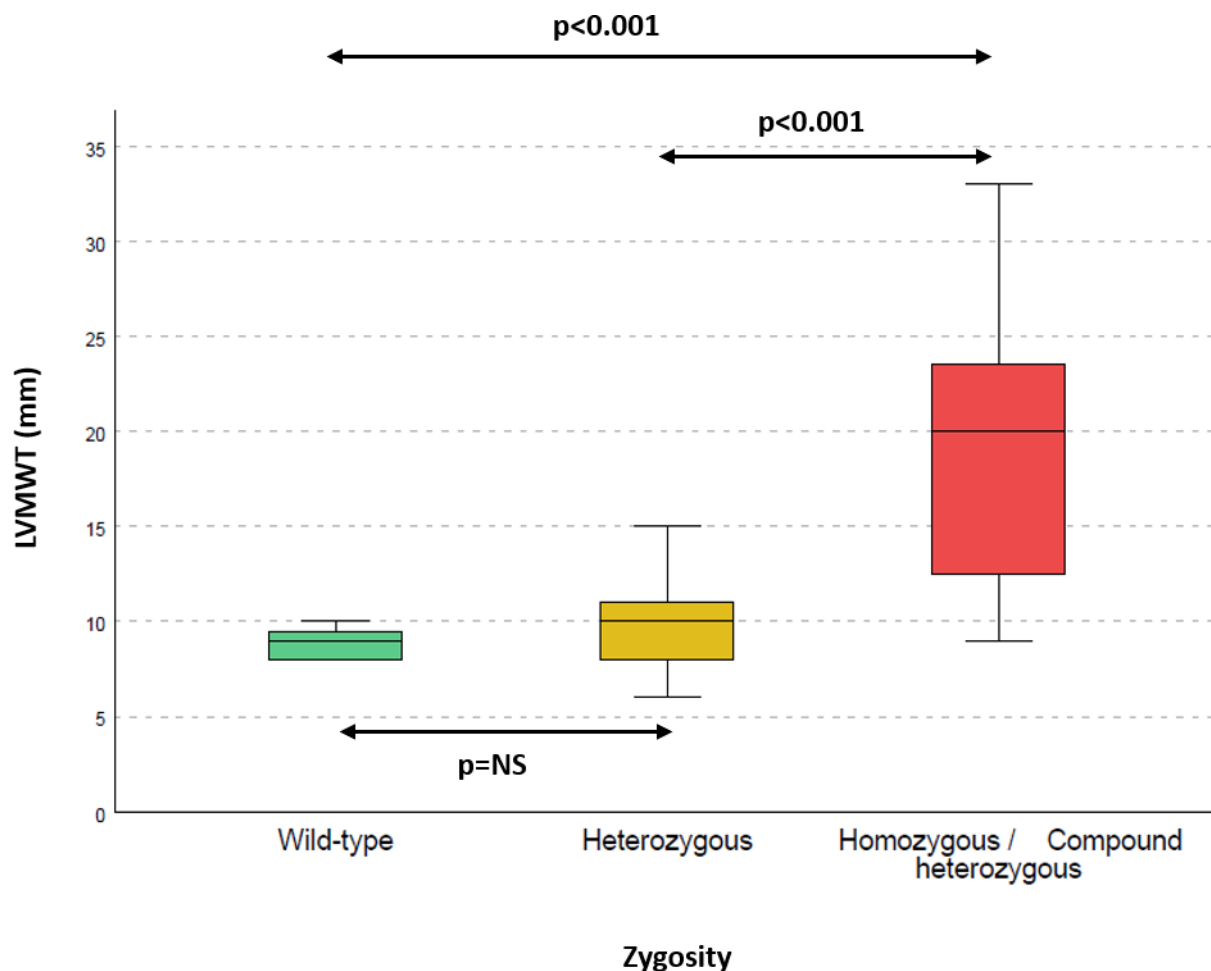


Figure 1 Left ventricular maximal wall thickness according to zygosity. Left ventricular maximal wall thickness is higher in homozygous/compound heterozygous patients than in their heterozygous ($p < 0.001$) or wild-type ($p < 0.001$) family members. No statistically significant differences are observed between wild-type and heterozygous individuals.

classical criteria for HCM (ECGs available as online supplementary figure 2). None of the heterozygous or wild-type family members showed signs of the disease. **Figure 1** shows the difference in LV maximal wall thickness in homozygous/compound heterozygous individuals, compared with their heterozygous or wild-type family members. After segregation analysis in the families, a combined LOD score of 4.25 was obtained, which is indicative of strong cosegregation (online supplementary table 4).

Clinical characteristics of homozygous and compound heterozygous individuals

The baseline characteristics of all homozygous and compound heterozygous individuals after family screening and their comparison with wild-type and heterozygous family members are shown in **table 1**.

More detailed clinical, echocardiographic and electrocardiographic data on each of the homozygous/compound heterozygous are shown in online supplementary table 5. The most frequently identified variant in our cohort was p.(Gln247*), followed by the p.(Cys23Tyr) variant. The distribution of the identified variants throughout the different functional domains of the protein is shown in **figure 2**. HCM was the most frequent diagnosis (95%), with only one individual with biallelic variants in *TRIM63* with a different phenotype (restrictive cardiomyopathy). The mean age at diagnosis was 35 years (range 15–69). Forty-five per cent were asymptomatic

at the first examination, with abnormal ECG being the most frequent cause of diagnosis (25%). Fifty per cent of patients with available information had concentric left ventricular hypertrophy (LVH), and none had LV outflow tract obstruction. The mean maximal LV wall thickness was 19 mm (± 5). At the moment of inclusion, no patient had extreme LV hypertrophy (ie, > 30 mm); however, one patient with a maximal LV wall thickness of 17 mm showed significant wall thinning, with a previously reported septal wall thickness of 33 mm (without septal reduction therapies). Significant degrees of late gadolinium enhancement (LGE) (ie, transmural and involving more than one myocardial segment) were observed in almost 80% of homozygous/compound heterozygous and 20% of our population progressed to LV systolic dysfunction (defined as LV ejection fraction (LVEF) $< 50\%$). All patients with LV dysfunction showed LGE on MRI studies. **Figure 3** shows two examples of patients' cardiac MRIs. Fifty per cent of the patients had non-sustained ventricular tachycardia on Holter monitoring. One patient had hemodynamically stable sustained ventricular tachycardia, which prompted the implantation of an implantable cardioverter defibrillator for secondary prevention. Twenty per cent of the included individuals underwent a formal neurological examination, including muscular imaging techniques, and none of them showed evident neuromuscular alterations. Only one individual underwent muscle biopsy, which was normal. Creatine-kinase levels (CK) levels were

Table 1 Baseline characteristics of homozygous/compound heterozygous individuals

	Homozygous/compound heterozygous (n=20)	Heterozygous/wild-type (n=44)	P value
Age (range)	33 (15–69)	48 (12–80)	0.002
Hypertension (%)	4/20 (20)	7/44 (16)	0.4
HCM (%)	19/20 (95)	0/44	<0.001
ASH	8/16 (50)		
Concentric	8/16 (50)		
Restrictive cardiomyopathy (%)	1/20 (5)	0/44	0.15
Reason for diagnosis (%)			
Syncope	2/20 (10%)	N/A	N/A
Angina	2/20 (10%)		
Dyspnoea	3/20 (15%)		
ECG disturbance	5/20 (25%)		
Palpitations	3/20 (15%)		
Family screening	4/20 (20%)		
Others	1/20 (5%)		
NYHA functional class I–II (%)	19/20 (95)	N/A	N/A
ECG LVH (%)	13/16 (81)	0/44	<0.001
LVMWT (mm)	19.2 (±5.6)	9.8 (±1.9)	<0.001
LVMWT>25 mm (%)	3/20 (15)	0/44	<0.001
PW (mm)	13.6 (±3)	8.8 (±2)	0.01
LVEDD (mm)	49.4 (±7.5)	45.4 (±4.8)	0.02
LVEF (%)	60 (±12)	63.4 (±3.7)	<0.001
LV dysfunction (EF<50%) (%)	4/20 (20)	0/44	0.003
LA diameter (mm)	43 (±5)	32 (±5)	0.7
LVOTO	0/20	N/A	N/A
CMR LGE (%)	10/12 (83)	N/A	N/A
Atrial fibrillation (%)	3/20 (15)	0/40	0.012
NSVT on Holter (%)	9/18 (50)	N/A	N/A
ICD implant (%)	7/20 (35)	N/A	N/A
Betablockers (%)	12/20 (60)	N/A	N/A
Oral anticoagulants (%)	5/20 (25)	0/44	<0.001
Events			
Cardiovascular death	0/20		
CVE	4/20	1/44	
Heart failure death/heart transplant	0/20		
SCD	0/20		

ASH, asymmetric septal hypertrophy; CMR, cardiac magnetic resonance; CVE, cerebrovascular event; ECG, electrocardiogram; HCM, hypertrophic cardiomyopathy; ICD, implantable cardioverter defibrillator; LA, left atrium; LVEDD, left ventricular end-diastolic diameter; LVEF, left ventricular ejection fraction; LVH, left ventricular hypertrophy; LVMWT, left ventricular maximal wall thickness; LVOTO, left ventricular outflow tract obstruction; NSVT, non-sustained ventricular tachycardia; NYHA, New York Heart Association; PW, posterior wall; SCD, sudden cardiac death.

elevated in 3 out of 11 evaluated patients. None of the evaluated cases had previous episodes of sudden cardiac death. Four patients (20%) had a previous cerebrovascular event, none of them disabling.

DISCUSSION

Our study demonstrates a relationship between homozygous and compound heterozygous rare variants in *TRIM63* and the development of HCM. Autosomal-recessive (AR) inheritance has been considered the least common form of inheritance in inherited cardiac muscle diseases and is mainly associated with metabolic or complex multi-system disorders.^{13 14} More than 11 600 probands with different cardiovascular inherited

disorders were sequenced, and rare homozygous and compound heterozygous variants in *TRIM63* were identified only in subjects with HCM (and one case with RCM), whereas they were absent in our control population. Likewise, homozygous individuals harbouring rare variants in *TRIM63* are absent in the gnomAD database. Moreover, familial evaluation confirmed these findings, as heterozygous carriers were healthy and only homozygous and compound heterozygous individuals showed manifestations of the disease. Even though two family members (homozygous) did not fulfil the classical criteria for HCM, we classified them as possibly affected on the basis of an abnormal ECG (online supplementary figure 2). It has been described that ECG changes in the absence of diagnostic morphological abnormalities (in the context of a familial disease) may represent an early or mild form of HCM.¹³

Sarcomeric proteins undergo constant turnover in order to adapt to the physiological needs as well as to repair damaged proteins.⁴ Central to this turnover is the ubiquitin proteasome system (UPS). E3 ubiquitin ligases direct the addition of ubiquitin to specific target proteins, marking them for degradation.¹⁵ Substrates targeted by MuRF1 include several members of the contractile apparatus, such as myosin heavy chain, troponins, tropomyosin and titin.^{6 16 17} Online supplementary figure 3 shows a schematic representation of the role of ubiquitin ligases in the UPS. Due to its interactions with sarcomeric proteins, *TRIM63*, encoding MuRF1, has been proposed as a candidate gene for the development of cardiomyopathies. However, most descriptions focused on heterozygous carriers or isolated homozygous individuals without familial cosegregation studies,^{8 18} and its true relevance as a cardiomyopathy-causing gene has not yet been elucidated.

One previous study¹⁹ reported a family in which a male harbouring the p.(Gln247*) variant in *TRIM63* in homozygosity and the heterozygous missense *TRIM54* variant p.(Asp106Asn) had HCM and skeletal myopathy. His siblings heterozygous for the *TRIM63* variant were asymptomatic and healthy. One of his sisters was also a homozygous for the p.(Gln247*) variant, but not a carrier of the *TRIM54* variant, and was diagnosed with LV hypertrophy thought to be secondary to hypertension. This group reported that the presence of digenic mutations (*TRIM63* and *TRIM54*) would be necessary for the development of the phenotype and that the homozygous *TRIM63* variant would deserve further investigation in order to establish its contribution to the development of LV hypertrophy.

The presence of concentric hypertrophy is not a frequent presentation in sarcomeric HCM and may be more common in metabolic and infiltrative disorders.¹³ However, 50% of the patients with HCM included in our study showed this distribution. The finding of concentric HCM together with extensive LGE distribution prompted the search for an infiltrative disease in three of our patients (15%), and was ruled out in all of them. The clinical suspicion of infiltrative disorder together with the presence of extensive LGE and LV systolic dysfunction in our population matches the description of the cardiac phenotype in the proband reported by Olivé *et al.*¹⁹

End-stage HCM (defined as EF <50%) has been identified in up to 10% of individuals with HCM in modern cohorts, and it has been suggested that the progression to this phenotype may be lower in individuals with sarcomeric HCM when compared with phenocopies.^{1 20–22} Nevertheless, in our study, 20% of individuals showed progression to LV dysfunction. Moreover, in one family, there was also a history of heart transplant due to end-stage HCM in an individual with unknown genotype. Animal studies have shown an increase in myocardial fibrosis in mice

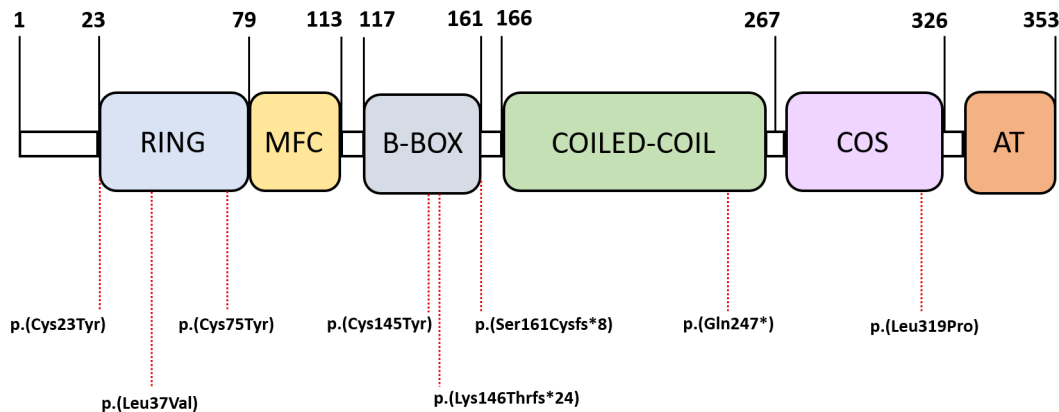


Figure 2 Schematic representation of the protein's domains. Location of the identified homozygous/compound heterozygous variants in *TRIM63* at protein level.

harbouring mutations in *TRIM63*, and myocardial fibrosis has been shown to be a key determinant of LV adverse remodelling in other cardiomyopathies.^{23–25}

Interestingly, the previously described variant p.(Gln247*) was the most frequently identified variant in our cohort. Functional studies have shown that this variant reduces the localisation of the protein to the Z-disk and impairs the ubiquitination of MuRF1 substrates in cardiac myocytes.⁸ RT-PCR analysis suggested that the transcripts undergo nonsense-mediated decay (a mechanism responsible for haploinsufficiency); moreover, transient expression of wild-type MuRF1 rescued the phenotype in adult human myocytes.¹⁹ Sixty per cent of the identified missense variants in our cohort are located in the RING domain, a highly conserved region (see figure 2 and online supplementary figure 4) which mediates ubiquitination events.²⁶ Other groups⁸ have shown that missense variants located in the RING domain can significantly decrease the enzyme's autoubiquitination function and the ubiquitination of the substrates, as well as producing an activation in the mTOR pathway signalling (important for the development of ventricular hypertrophy). Furthermore, three out of five (60%) of all the missense variants identified involve the substitution

of cysteine (a neutral polar side chain amino acid) for tyrosine (an aromatic hydrophobic side chain amino acid), which causes very significant changes in the physicochemical properties and may alter the structure and function of the protein.

Although our findings will affect a small subset of patients with HCM, they are important in clinical practice because they have a relevant impact on the genetic counselling of these families, as all the available evidence suggests that *TRIM63* is a cause of HCM with AR inheritance. Moreover, the clinical profile of these patients (moderate to severe hypertrophy, high incidence of ventricular arrhythmias, extensive fibrosis and frequent LV systolic dysfunction) suggests that individuals homozygous and compound heterozygous for variants in *TRIM63* are at high risk of adverse events. The absence of arrhythmic events in our cohort may be due to a lack of long-term follow-up of the identified carriers.

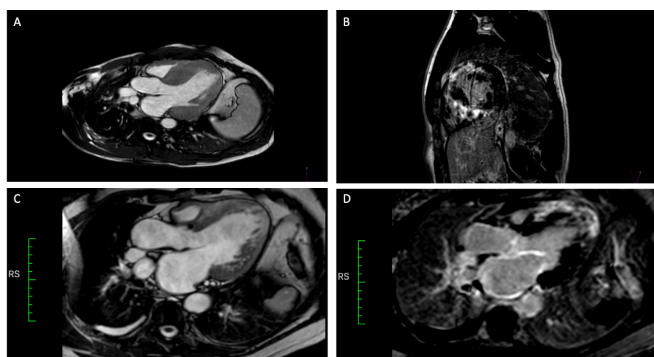


Figure 3 Cardiac MRI. Panels A and B show patient II.3 from family 6897. Severe concentric LV hypertrophy (20 mm IVS) and severe transmural LGE were observed. Panels C and D show patient II.2 from family 2523, who developed LV systolic dysfunction and dilatation. Severe transmural LGE is observed in the apical segments and near-transmural LGE in the interventricular septum. Hypertrabeculation of the lateroapical segments was found. LGE, late gadolinium enhancement; LV, left ventricular.

Key messages

What is already known on this subject?

- ▶ Up to 50% of patients with hypertrophic cardiomyopathy (HCM) show no disease-causing variants in genetic studies. *TRIM63* has been suggested as a candidate gene for the development of cardiomyopathies, although evidence for a causative role in HCM is limited.

What might this study add?

- ▶ This study adds to the genetic architecture of HCM by showing that *TRIM63* is a cause of a non-classical form of HCM, with an autosomal-recessive inheritance, presenting as concentric HCM with a high rate of left ventricular (LV) dysfunction.

How might this impact on clinical practice?

- ▶ Our findings have a relevant impact on the genetic counselling of these families, as all the available evidence suggests that *TRIM63* is a cause of HCM only with autosomal-recessive inheritance. Moreover, the clinical profile of these patients (moderate to severe hypertrophy, high incidence of ventricular arrhythmias, extensive fibrosis and frequent LV systolic dysfunction) suggests that homozygous and compound heterozygous individuals for variants in *TRIM63* are at high risk of adverse events.

Study limitations

The fact that no other TRIM protein family members have been studied in our cohort made it impossible to study whether digenic variants could explain the development of clinical myopathy or elevated CK observed in some patients.

CONCLUSION

TRIM63 is a cause of HCM with an AR inheritance pattern, which may be associated with concentric LVH and a high rate of LV dysfunction. It accounts for approximately 0.4% of HCM cases, although its importance in sporadic cases could be higher. If these findings are validated by other groups, it is possible that TRIM63 is the most frequent cause of HCM with a recessive inheritance pattern.

Author affiliations

- ¹Cardiovascular Genetics, Health in Code, A Coruna, Spain
- ²Genetics Department, Universitat Autònoma de Barcelona, Barcelona, Spain
- ³Clinical Genetics Department, Hospital Universitario de Bellvitge, Barcelona, Spain
- ⁴Inherited Cardiac Diseases Unit. Cardiology Department, Hospital Universitario 12 de Octubre, Madrid, Spain
- ⁵Centro de Investigación Biomédica en Red en Enfermedades Cardiovasculares (CIBERCV), Instituto Carlos III, Madrid, Spain
- ⁶Inherited Cardiac Diseases Unit. Cardiology Department, Hospital Universitario Puerta de Hierro, Madrid, Spain
- ⁷Heart Failure and Cardiomyopathy Unit. Cardiology Department, Hospital Universitario de Bellvitge, Barcelona, Spain
- ⁸Centre for Inherited Cardiac Diseases. Barts Heart Centre, Saint Bartholomew's Hospital, London, United Kingdom
- ⁹Genetics Department, Hospital Universitario de Getafe, Getafe, Spain
- ¹⁰Cardiology Department, Hospital Virgen del Puerto, Plasencia, Spain
- ¹¹Molecular Diagnostics Unit, Hospital Universitario de Canarias, Santa Cruz de Tenerife, Spain
- ¹²Familial Cardiomyopathy Unit. Cardiology Department, Hospital Txagorritxu, Vitoria-Gasteiz, Spain
- ¹³Cardiology Department, Hospital Universitario Virgen del Rocío, Seville, Spain
- ¹⁴Cardiology Department, Hospital Universitario General de Alicante, Alicante, Spain
- ¹⁵Cardiology Department, Complejo Hospitalario Universitario de Albacete, Albacete, Spain
- ¹⁶Cardiology Department, Hospital Universitario Nuestra Señora de la Candelaria, Santa Cruz de Tenerife, Spain
- ¹⁷Cardiology Department. Cardiac Sciences Institute (ICICOR), Hospital Clínico Universitario de Valladolid, Valladolid, Spain
- ¹⁸Cardiology Department, Hospital San Pedro de Alcántara, Cáceres, Spain
- ¹⁹Institute of Cardiovascular Science, University College London, London, UK
- ²⁰Department of Pathology and Neuromuscular Unit. IDIBELL, Hospital Universitario de Bellvitge, Barcelona, Spain
- ²¹University Francisco de Vitoria (UFV), Madrid, Spain

Twitter Joel Salazar-Mendiguchía @JoelSMG

Acknowledgements The authors would like to thank Health in Code's laboratory, administrative and administrative teams for their everyday effort. We thank Mr Radek Suchac and Mrs Alicia Pallas for their support in English editing.

Collaborators GENESCOPIC Research group: Health in Code: Xusto Fernández; Elena Veira; David de Uña; Pablo Iglesias; Noël Brögger; Germán Fernández; Juan Pablo Trujillo-Quintero Hospital Universitario Puerta de Hierro: Marta Cobo-Marcos; María A. Restrepo-Córdoba; Esther González-López Saint Bartholomew's Hospital: Luis R. Lopes Hospital Universitario de Getafe: Jesús Saavedra Hospital Clínico Universitario de Valladolid: María Sandín-Fuentes; Iria Duro-Aguado Hospital General Universitario de Alicante: María García Álvarez.

Contributors JS-M is the principal investigator, wrote the proposal, coordinated the study, supervised the data and prepared the article. JPO had a central role in statistical analysis and critical revision. JP-D, FD, CD-L, MA, SR, AP-C, MMC, MR, MLPP, VC-P, FMS, CH, PEG-G, MVM, IC-R, MC, DG-G, AL, BG-F, FD-F and RS helped in data acquisition and coordinated the family studies. IG-D, LS and PS did a critical review on all the bioinformatic aspects of the identified genetic variants. MO critically revised the manuscript and led the neuromuscular investigations. PG-P, MO-G and PME made substantial contributions to the design of the work and added important intellectual content to the final manuscript. LM conceived the initial idea and acted as co-coordinator. JS-M and LM act as guarantors.

Funding St. Bartholomew's Hospital (Drs P M Elliot and M Akhtar) and Hospital Universitario Puerta de Hierro Majadahonda (Drs P Garcia-Pavia and F Domínguez) are members of the European Reference Network on Rare and Complex Diseases of the Heart (Guard-Heart; <http://guard-heart.ernnet.eu>).

Competing interests JS-M, JPO, IG-D, IJC-R, MNC, DG-G, AL, LS and MO-G are employees of Health in Code SL. LM is a stakeholder and CEO of Health in Code SL.

Patient and public involvement Patients and/or the public were not involved in the design, or conduct, or reporting, or dissemination plans of this research.

Patient consent for publication Not required.

Provenance and peer review Not commissioned; externally peer reviewed.

Data availability statement All data relevant to the study are included in the article or uploaded as supplementary information.

Open access This is an open access article distributed in accordance with the Creative Commons Attribution Non Commercial (CC BY-NC 4.0) license, which permits others to distribute, remix, adapt, build upon this work non-commercially, and license their derivative works on different terms, provided the original work is properly cited, appropriate credit is given, any changes made indicated, and the use is non-commercial. See: <http://creativecommons.org/licenses/by-nc/4.0/>.

ORCID iDs

Joel Salazar-Mendiguchía <http://orcid.org/0000-0003-2171-8508>
 Pablo E García-Granja <http://orcid.org/0000-0002-0750-1567>
 Perry M. Elliott <http://orcid.org/0000-0003-3383-3984>

REFERENCES

- 1 Maron BJ. Clinical course and management of hypertrophic cardiomyopathy. *N Engl J Med* 2018;379:655–68.
- 2 Van Driest SL, Ellsworth EG, Ommen SR, *et al.* Prevalence and spectrum of thin filament mutations in an outpatient referral population with hypertrophic cardiomyopathy. *Circulation* 2003;108:445–51.
- 3 Richard P, Charron P, Carrier L, *et al.* Hypertrophic cardiomyopathy: distribution of disease genes, spectrum of mutations, and implications for a molecular diagnosis strategy. *Circulation* 2003;107:2227–32.
- 4 Willis MS, Bevilacqua A, Pulini K, *et al.* The role of ubiquitin ligases in cardiac disease. *J Mol Cell Cardiol* 2014;71:43–53.
- 5 Mearini G, Geddicke C, Schlossarek S, *et al.* Atrogin-1 and MuRF1 regulate cardiac MyBP-C levels via different mechanisms. *Cardiovasc Res* 2010;85:357–66.
- 6 Gregorio CC, Perry CN, McElhinny AS. Functional properties of the titin/connectin-associated proteins, the muscle-specific RING finger proteins (MURFs), in striated muscle. *J Muscle Res Cell Motil* 2005;26:389–400.
- 7 Willis MS, Ike C, Li L, *et al.* Muscle ring finger 1, but not muscle ring finger 2, regulates cardiac hypertrophy in vivo. *Circ Res* 2007;100:456–9.
- 8 Chen SN, Czernuszewicz G, Tan Y, *et al.* Human molecular genetic and functional studies identify TRIM63, encoding muscle RING finger protein 1, as a novel gene for human hypertrophic cardiomyopathy. *Circ Res* 2012;111:907–19.
- 9 Ploski R, Pollak A, Müller S, *et al.* Does p.Q247X in TRIM63 cause human hypertrophic cardiomyopathy? *Circ Res* 2014;114:2–5.
- 10 Walsh R, Buchan R, Wilk A, *et al.* Defining the genetic architecture of hypertrophic cardiomyopathy: re-evaluating the role of non-sarcomeric genes. *Eur Heart J* 2017;38:ehw603–8.
- 11 Su M, Wang J, Kang L, *et al.* Rare variants in genes encoding MuRF1 and MuRF2 are modifiers of hypertrophic cardiomyopathy. *Int J Mol Sci* 2014;15:9302–13.
- 12 Richards S, Aziz N, Bale S, *et al.* Standards and guidelines for the interpretation of sequence variants: a joint consensus recommendation of the American College of medical genetics and genomics and the association for molecular pathology. *Genet Med* 2015;17:405–23.
- 13 Elliott PM, Anastakis A, *et al.* Authors/Task Force members. 2014 ESC guidelines on diagnosis and management of hypertrophic cardiomyopathy: the task force for the diagnosis and management of hypertrophic cardiomyopathy of the European Society of cardiology (ESC). *Eur Heart J* 2014;35:2733–79.
- 14 Rapezzi C, Arbustini E, Caforio ALP, *et al.* Diagnostic work-up in cardiomyopathies: bridging the gap between clinical phenotypes and final diagnosis. A position statement from the ESC Working group on myocardial and pericardial diseases. *Eur Heart J* 2013;34:1448–58.
- 15 Willis MS, Schisler JC, Portbury AL, *et al.* Build it up-Tear it down: protein quality control in the cardiac sarcomere. *Cardiovasc Res* 2009;81:439–48.
- 16 McElhinny AS, Kakinuma K, Sorimachi H, *et al.* Muscle-specific RING finger-1 interacts with titin to regulate sarcomeric M-line and thick filament structure and may have nuclear functions via its interaction with glucocorticoid modulatory element binding protein-1. *J Cell Biol* 2002;157:125–36.
- 17 Henderson CA, Gomez CG, Novak SM, *et al.* Overview of the muscle cytoskeleton. *Compr Physiol* 2017;7:891–944.

- 18 Jokela M, Baumann P, Huovinen S, *et al.* Homozygous nonsense mutation p.Q274X in Trim63 (MuRF1) in a patient with mild skeletal myopathy and cardiac hypertrophy. *J Neuromuscul Dis* 2019;6:143–6.
- 19 Olivé M, Abdul-Hussein S, Oldfors A, *et al.* New cardiac and skeletal protein aggregate myopathy associated with combined MuRF1 and MuRF3 mutations. *Hum Mol Genet* 2015;24:3638–50.
- 20 Biagini E, Coccolo F, Ferlito M, *et al.* Dilated-hypokinetic evolution of hypertrophic cardiomyopathy: prevalence, incidence, risk factors, and prognostic implications in pediatric and adult patients. *J Am Coll Cardiol* 2005;46:1543–50.
- 21 Harris KM, Spirito P, Maron MS, *et al.* Prevalence, clinical profile, and significance of left ventricular remodeling in the end-stage phase of hypertrophic cardiomyopathy. *Circulation* 2006;114:216–25.
- 22 Rosmini S, Biagini E, O'Mahony C, *et al.* Relationship between aetiology and left ventricular systolic dysfunction in hypertrophic cardiomyopathy. *Heart* 2017;103:300–6.
- 23 Masci PG, Schuurman R, Andrea B, *et al.* Myocardial fibrosis as a key determinant of left ventricular remodeling in idiopathic dilated cardiomyopathy: a contrast-enhanced cardiovascular magnetic study. *Circ Cardiovasc Imaging* 2013;6:790–9.
- 24 Liu T, Song D, Dong J, *et al.* Current understanding of the pathophysiology of myocardial fibrosis and its quantitative assessment in heart failure. *Front Physiol* 2017;8:1–13.
- 25 Karaahmet T, Gürel E, Tigen K, *et al.* The effect of myocardial fibrosis on left ventricular torsion and twist in patients with non-ischemic dilated cardiomyopathy. *Cardiol J* 2013;20:276–86.
- 26 Ozato K, Shin D-M, Chang T-H, *et al.* TRIM family proteins and their emerging roles in innate immunity. *Nat Rev Immunol* 2008;8:849–60.